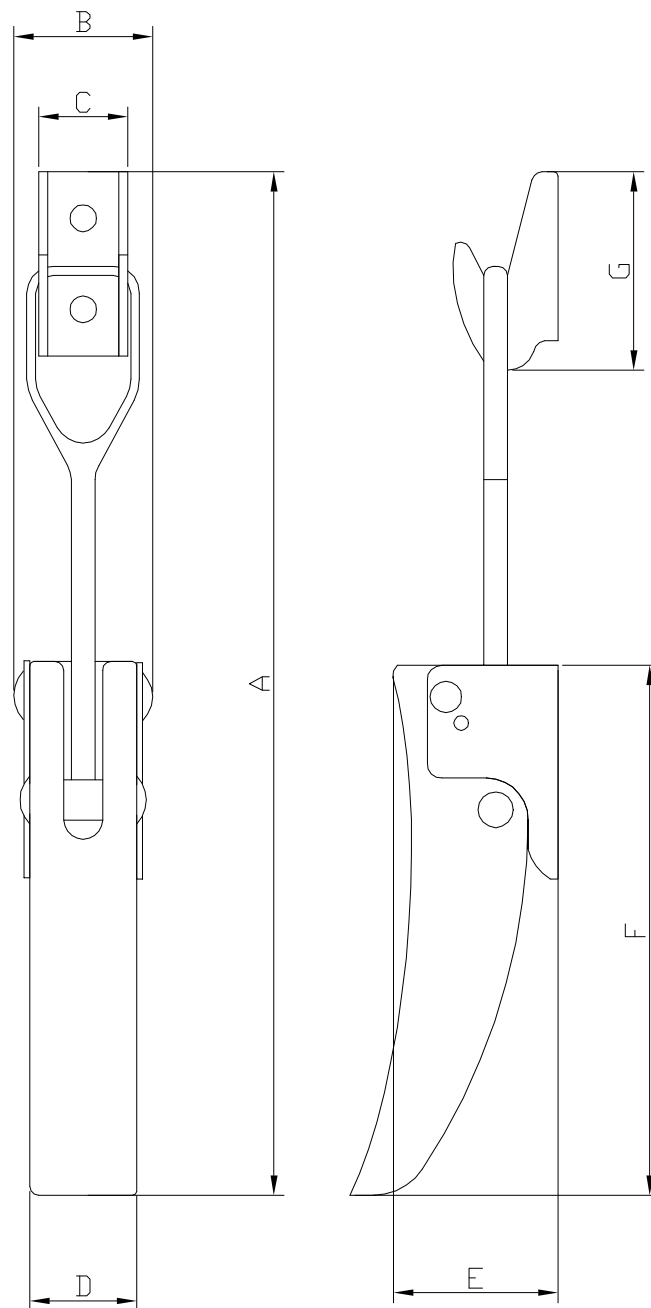


CIERRES RAPIDOS REGULABLES



| | A | B | C | D | E | F | G |
|---------|---------|----|----|----|----|----|----|
| GRANDE | 125/155 | 25 | 18 | 18 | 28 | 92 | 30 |
| MEDIANO | 90/120 | 18 | 15 | 15 | 20 | 65 | 25 |
| CHICO | 67/80 | 14 | 10 | 11 | 14 | 45 | 20 |



J.E. MUSSA Y ASOCIADOS SRL

R. E. de San Martín 3156
C.A. de Bs.As. Tel/Fax 05411 4584-6474/6196
info@mussayasociados.com.ar - www.mussayasociados.com.ar

Pag.
1